

Continuous LED lighting system for industrial applications

The Zipline Eco has been designed for industrial applications, with fast and flexible installation, longevity, and supreme efficiency (192.1 LL/CW).

The rolled steel trunking connects to a range of luminaire modules. These modules can be any combination of luminaire, emergency luminaire or passive infrared detector; they are designed to snap into the regularly spaced sockets on the trunking.

The Zipline Eco is a highly versatile industrial lighting system with five power options, broad, narrow, and double asymmetric light distributions and the SmartScan wireless lighting management system.

- Narrow, broad or double asymmetric distribution luminaire module options
- Raw galvanised steel trunking
- Pre-installed wiring loom, module sockets at 1500 mm intervals
- Plug and socket connections between trunking joints
- Modules click fit using stainless steel spring (requires a standard screwdriver to release)
- SmartScan wireless technology removes the need for control cabling. Ideal for retro-fit



Notes: See installation guide for mounting point locations

IP20

Up to 192.1 LL/CW

SMARTSCAN

LUXGUARD

Specification

Mounting	Surface Suspended	IP rating	IP20
Nominal size	1500 mm module	Max presence detection height	8 m

Lighting

Lumen output	4,400 lm - 11,060 lm	Efficacy	Up to 192.1 LL/CW
--------------	----------------------	----------	-------------------

Emergency data

Emergency lumen output	675 lm - 700 lm	Emergency type	Maintained
Emergency duration	3 hours	Battery specification	Nickel Metal Hydride (NiMH)

Power

LED power	22 W - 64 W	Circuit power	24 W - 67 W
-----------	-------------	---------------	-------------

LED characteristics

CRI	80+	Colour temperature	4000 K
Rated life (hours)	100 K - L70/B10		

Compliance

UKCA
Energy efficiency class

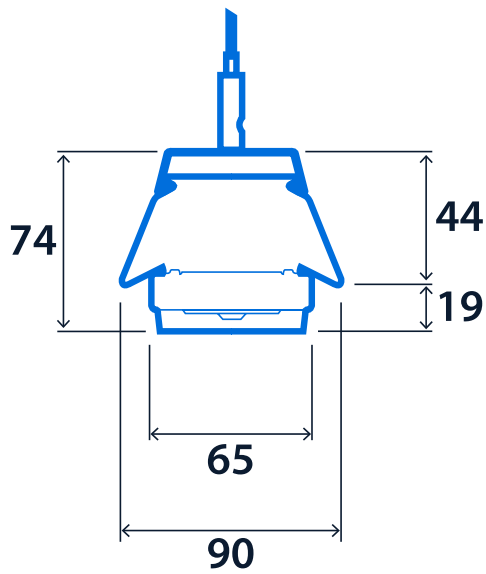
Yes
This product contains a light source of
energy efficiency class B

CE

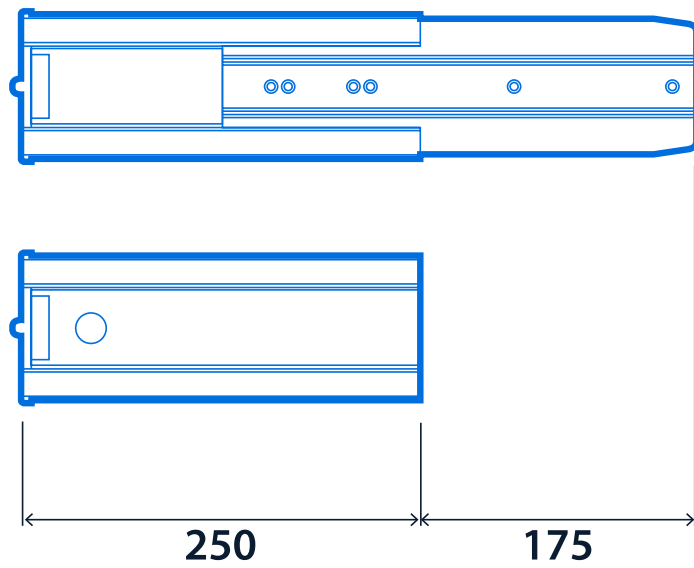
Yes

Dimensions

Suspension mounted version



End kit



[Click or scan here](#)
View Zipline Eco variants using
our online filtering tool



Information is correct as of 29 Dec 2024, however must not be interpreted as a guarantee of individual product performance and/or characteristics. We reserve the right to alter specifications and designs without prior notice.