

High performance mini LED floodlights

Compact and stylish IP66 rated floodlight with precise optical control for both uplighting and downlighting applications from traditional floodlighting to illuminating signs and building facades. Suitable for wall or pole mounting. Available in 20 W, 34 W and 42 W with a circuit efficiency of up to 118.1 LL/CW.

Applications: Footpaths, facades, architectural, signage, car parks and amenity areas

- Versatile mounting options
- Photocell option
- SmartScan wireless technology removes the need for control cabling. Ideal for retro-fit

Notes: SmartScan version not suitable for uplighting applications



IP66

IK10

Up to 118.1 LL/CW

SMARTSCAN

LED PROTECT

Specification

Mounting	Column Surface	IP rating	IP66
Impact rating	IK10	Windage rating	0.06 m ²
Max presence detection height	8 m		

Lighting

Optic	Clear cover	Lumen output	2,835 lm - 5,400 lm
Efficacy	Up to 118.1 LL/CW		

Power

LED power	20 W - 42 W	Circuit power	24 W - 47 W
-----------	-------------	---------------	-------------

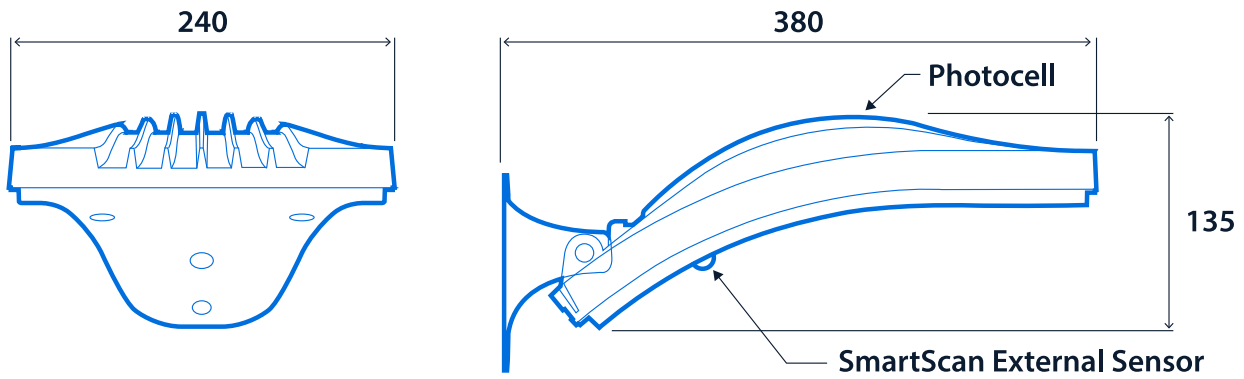
LED characteristics

CRI	70+	Colour temperature	4000 K
Rated life (hours)	100 K - L90/B10		

Compliance

UKCA	Yes	CE	Yes
Energy efficiency class	This product contains a light source of energy efficiency class C		

Dimensions



[Click or scan here](#)
View Starflood variants using
our online filtering tool



Information is correct as of 29 Dec 2024, however must not be interpreted as a guarantee of individual product performance and/or characteristics. We reserve the right to alter specifications and designs without prior notice.