

Track mounted adjustable spotlights

Track mounted display luminaires with integral control gear. 300° azimuth and 180° vertical adjustment. 6 W, 14 W or 20 W – 19°, 30° or 38° beam versions.

For use with the Track system.

Applications: office, retail, window displays, reception areas, museums, art galleries, historic buildings and churches.

- 19°, 30° and 38° beam angle versions
- 355° azimuth adjustment
- 180° vertical adjustment
- Designed for installation into 3-Circuit or DALI 3-Circuit track
- Fitted with CRI 90 LEDs with enhanced R9 value. Suitable for retail applications

Notes: Black and silver finishes or CRI 80 versions available to special order (minimum order quantity applies)



IP20

Up to 92.6 LL/CW

Specification

Mounting	Track	IP rating	IP20
----------	-------	-----------	------

Lighting

Lumen output	640 lm - 2,130 lm	Efficacy	Up to 92.6 LL/CW
--------------	-------------------	----------	------------------

Power

LED power	6 W - 20 W	Circuit power	8 W - 23 W
-----------	------------	---------------	------------

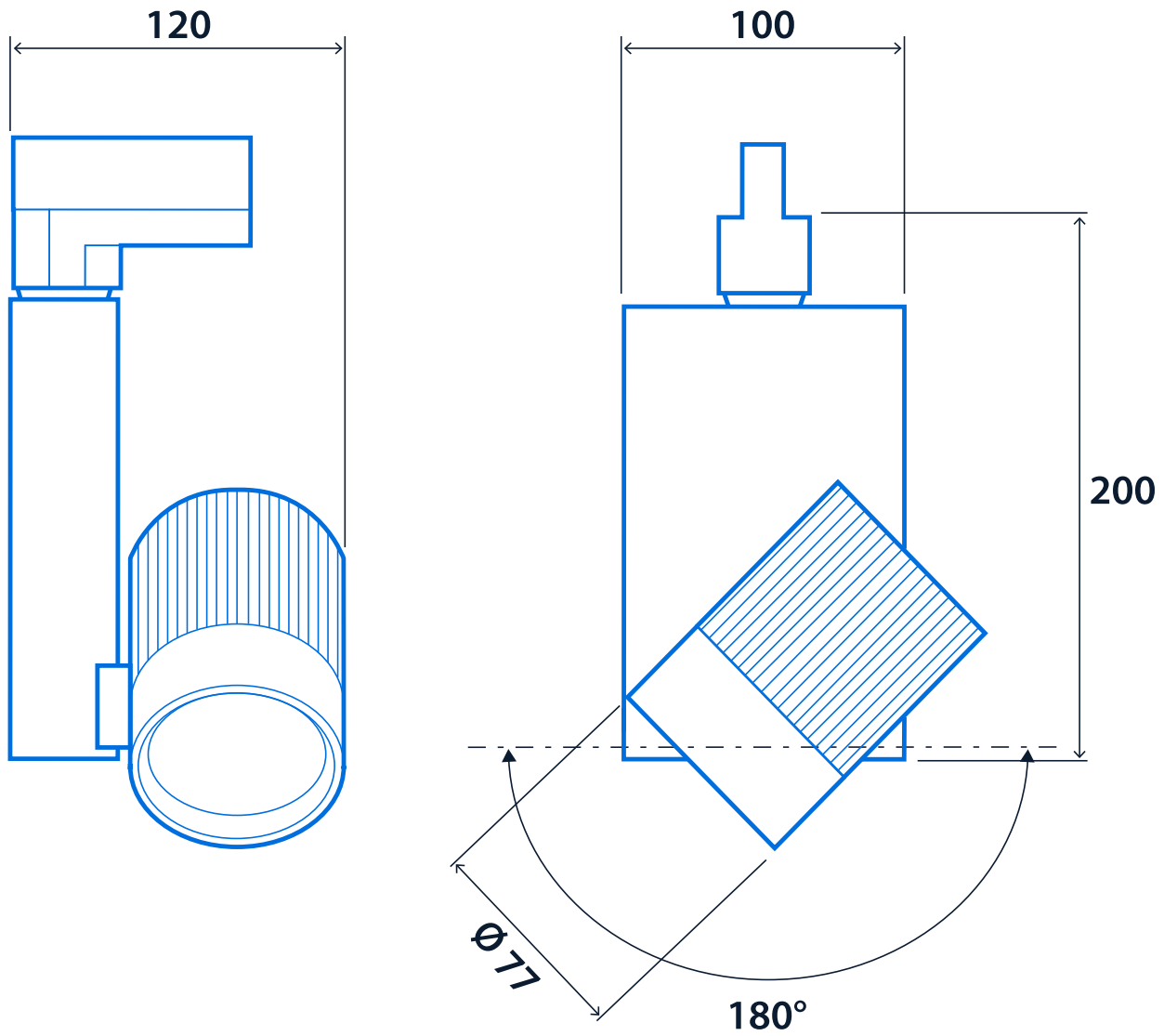
LED characteristics

CRI	90+	Colour temperature	3000 K 4000 K
Rated life (hours)	50 K - L70/B10		

Compliance

UKCA	Yes	CE	Yes
------	-----	----	-----

Dimensions





Click or scan here
View Pitch-M variants using our
online filtering tool



Information is correct as of 29 Dec 2024, however must not be interpreted as a guarantee of individual product performance and/or characteristics. We reserve the right to alter specifications and designs without prior notice.