

## Wall mounted LED up and downlighters

The unique form and functional design of the Clara 180 provide a stylish architectural luminaire for interior applications. Clara 180 uses medium power LEDs mounted onto specially designed circuit boards which provide excellent thermal management and LED failure protection. A super efficient reflector directs the light out of the luminaire and achieves 134.6 lumens per circuit watt. Please also see Clara 90 and Clara 360.

Applications: corridors, stairwells, reception areas, meeting rooms, pillars in open plan offices.

- Can be mounted horizontally or vertically
- Up and downlighter or uplighter only version
- SmartScan wireless technology removes the need for control cabling. Ideal for retro-fit

Notes: Uplighter only version can also be used as a downlighter



IP40

Up to 134.6 LL/CW

SMARTSCAN

LUXGUARD

## Specification

|                               |         |           |      |
|-------------------------------|---------|-----------|------|
| Mounting                      | Surface | IP rating | IP40 |
| Max presence detection height | 8 m     |           |      |

## Lighting

|          |                   |              |                     |
|----------|-------------------|--------------|---------------------|
| Optic    | Satin cover       | Lumen output | 1,560 lm - 3,095 lm |
| Efficacy | Up to 134.6 LL/CW |              |                     |

## Emergency data

|                        |                 |                       |                             |
|------------------------|-----------------|-----------------------|-----------------------------|
| Emergency lumen output | 190 lm - 380 lm | Emergency type        | Maintained                  |
| Emergency duration     | 3 hours         | Battery specification | Nickel Metal Hydride (NiMH) |

## Power

|           |             |               |             |
|-----------|-------------|---------------|-------------|
| LED power | 10 W - 20 W | Circuit power | 13 W - 23 W |
|-----------|-------------|---------------|-------------|

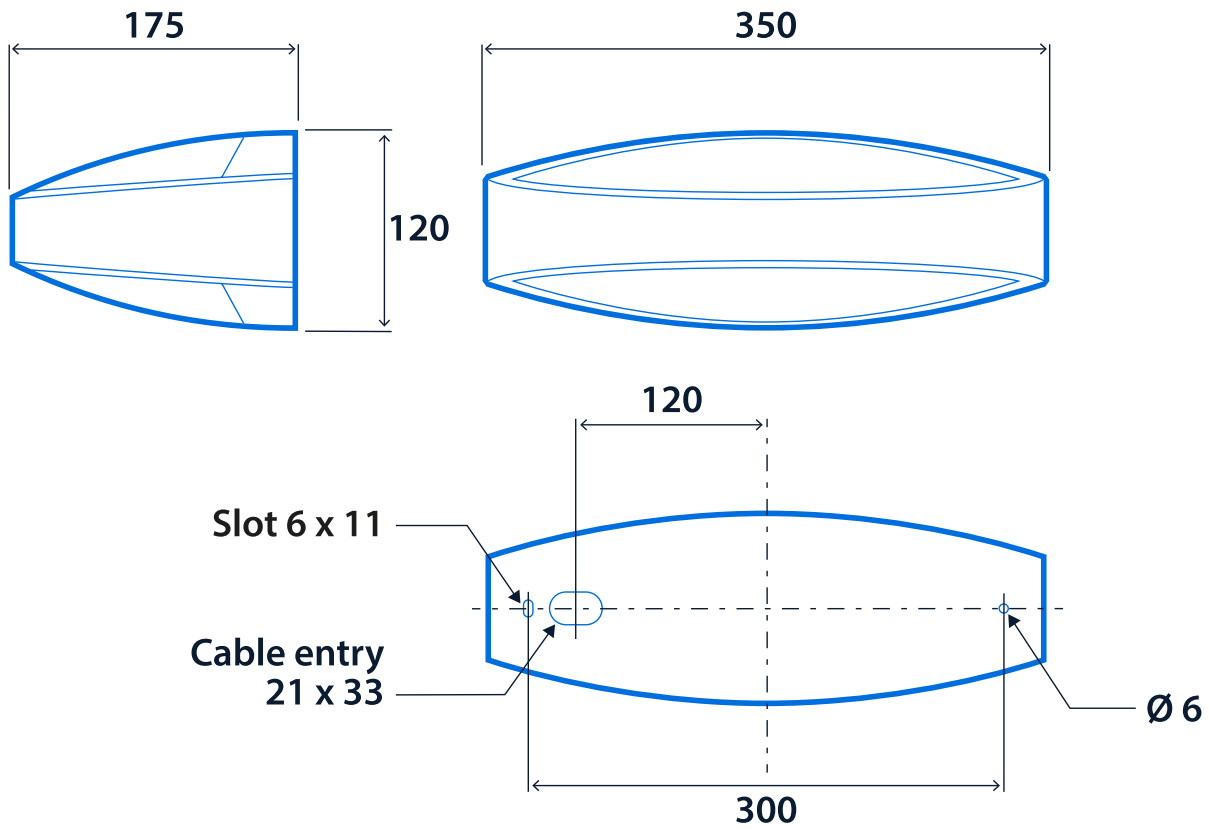
## LED characteristics

|                    |                 |                    |        |
|--------------------|-----------------|--------------------|--------|
| CRI                | 80+             | Colour temperature | 4000 K |
| Rated life (hours) | 100 K - L80/B10 |                    |        |

## Compliance

|                         |   |    |     |
|-------------------------|---|----|-----|
| UKCA                    | Yes   | CE | Yes |
| Energy efficiency class | This product contains a light source of energy efficiency class B |    |     |

## Dimensions





**Click or scan here**  
**View Clara 180 variants using**  
**our online filtering tool**



Information is correct as of 29 Dec 2024, however must not be interpreted as a guarantee of individual product performance and/or characteristics. We reserve the right to alter specifications and designs without prior notice.